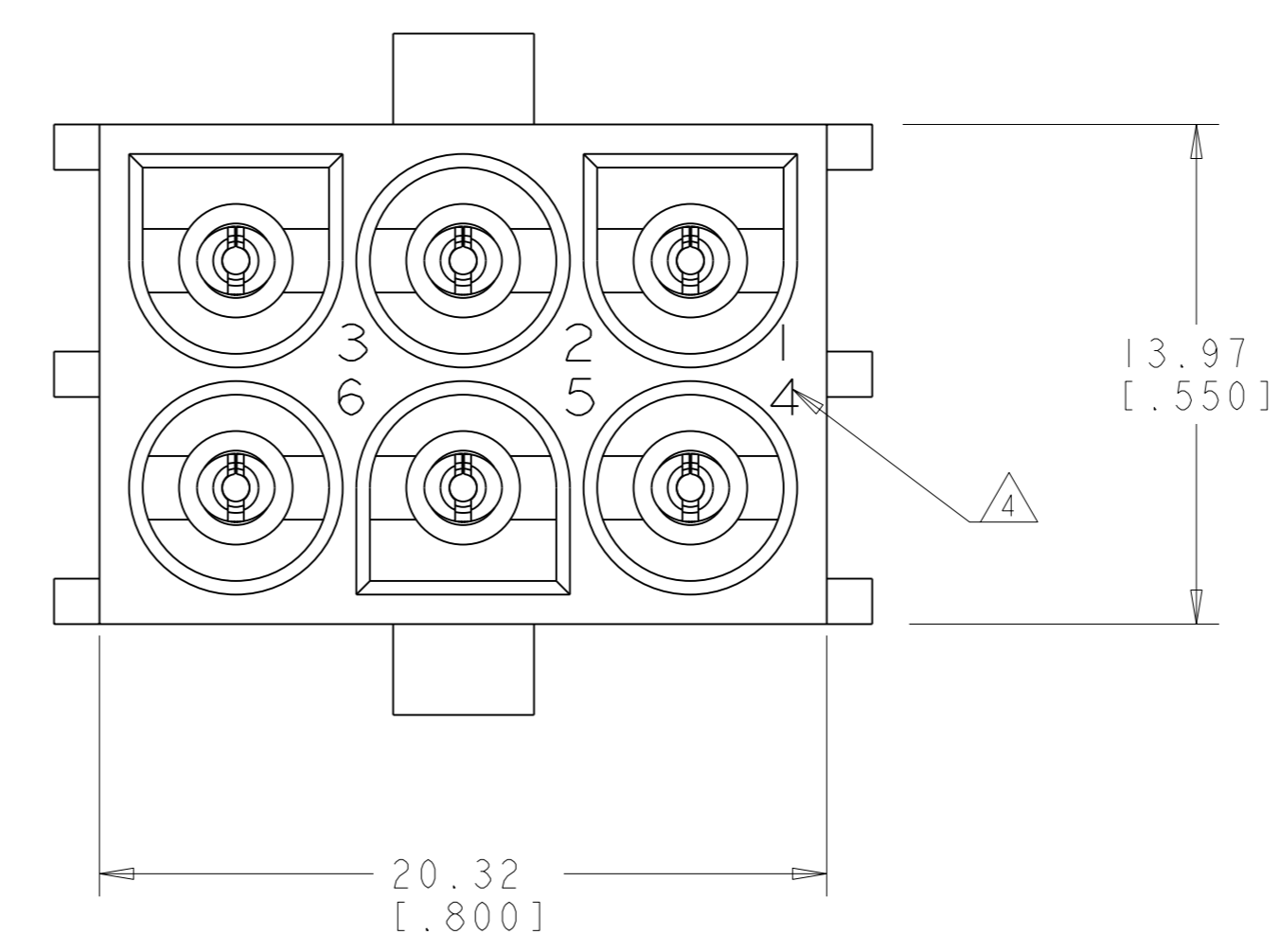
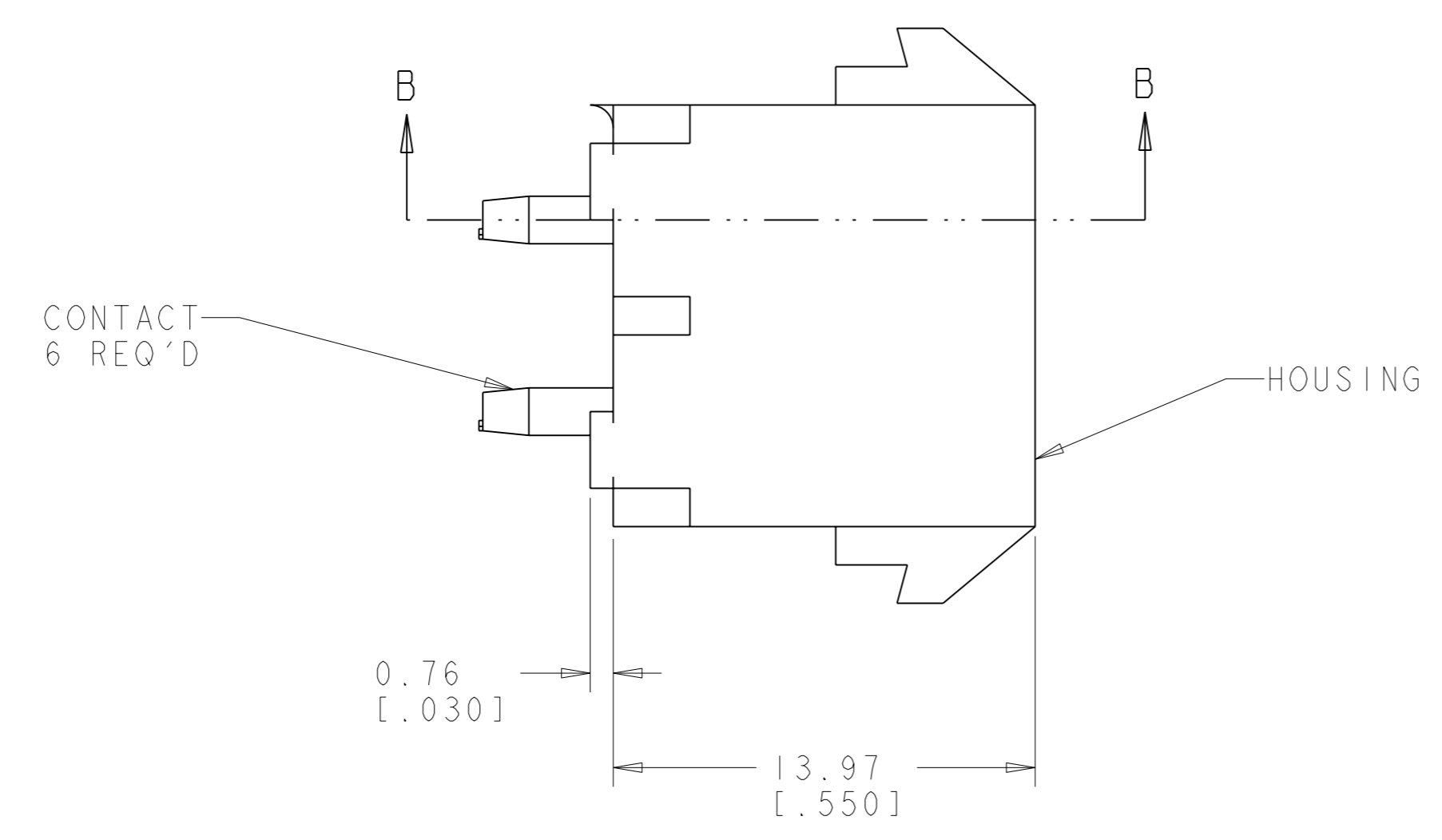
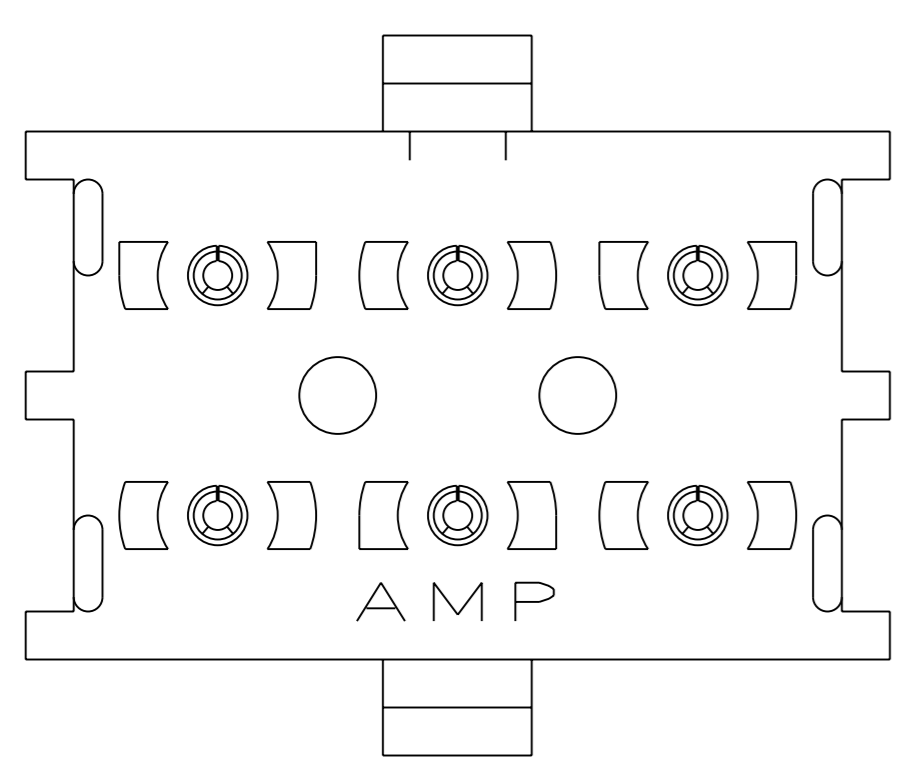
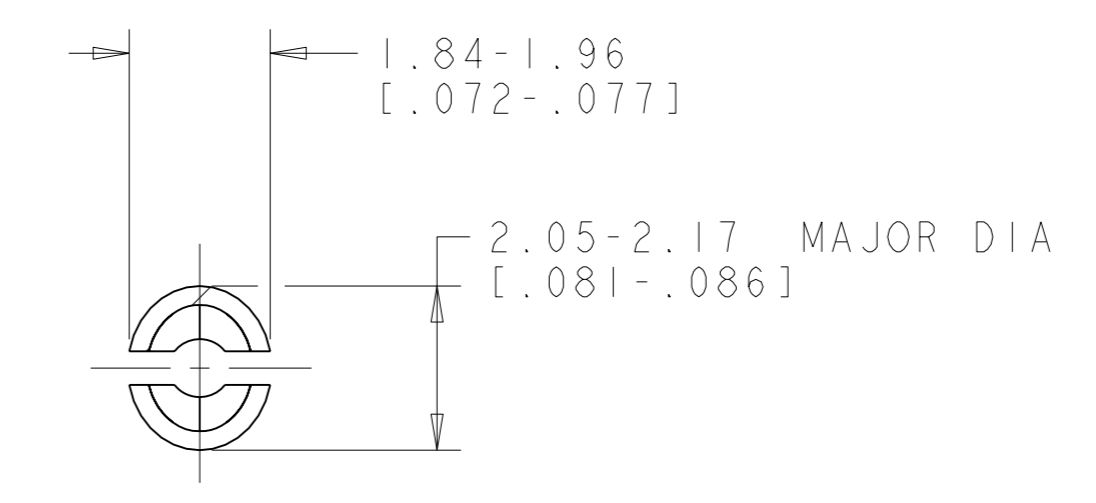
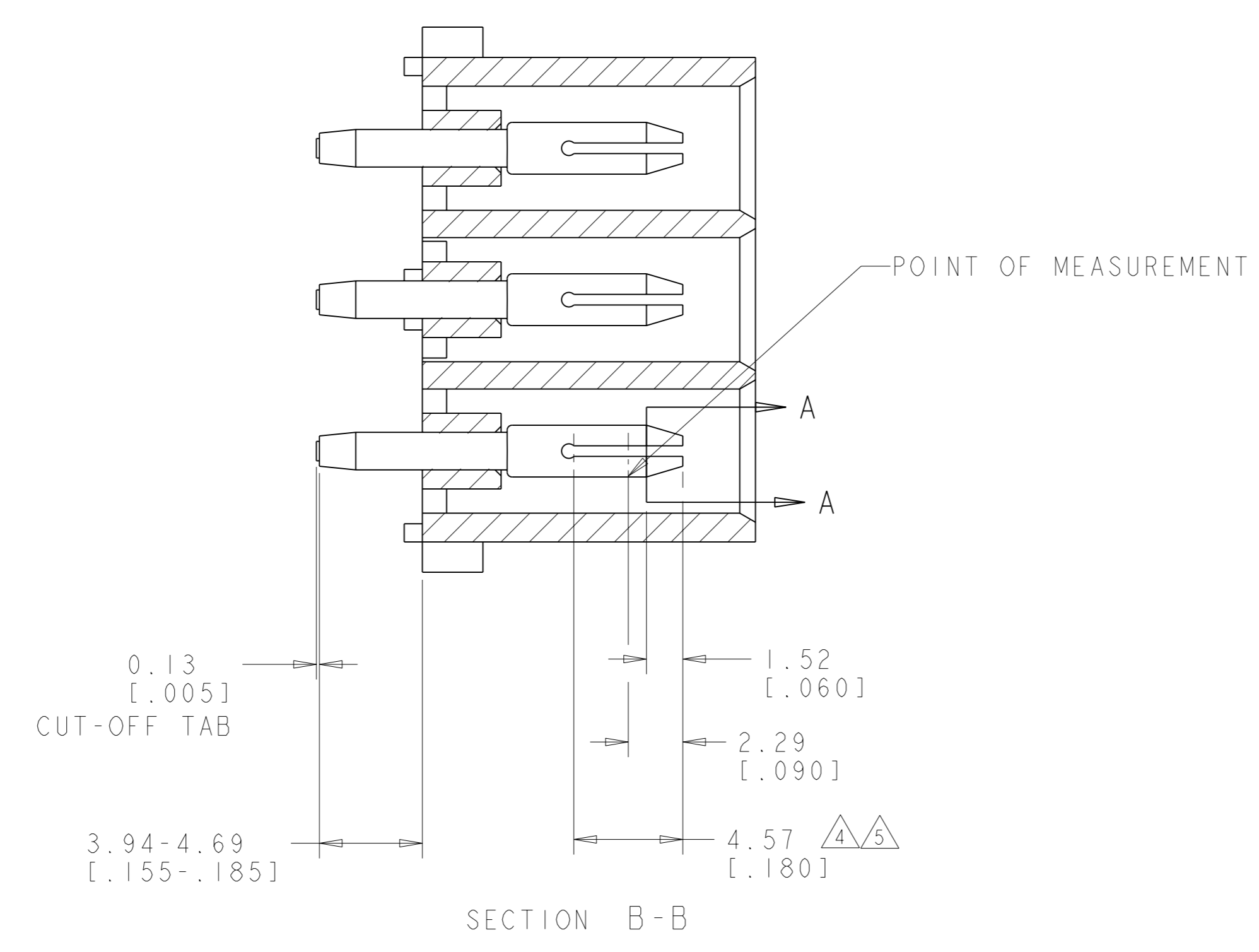


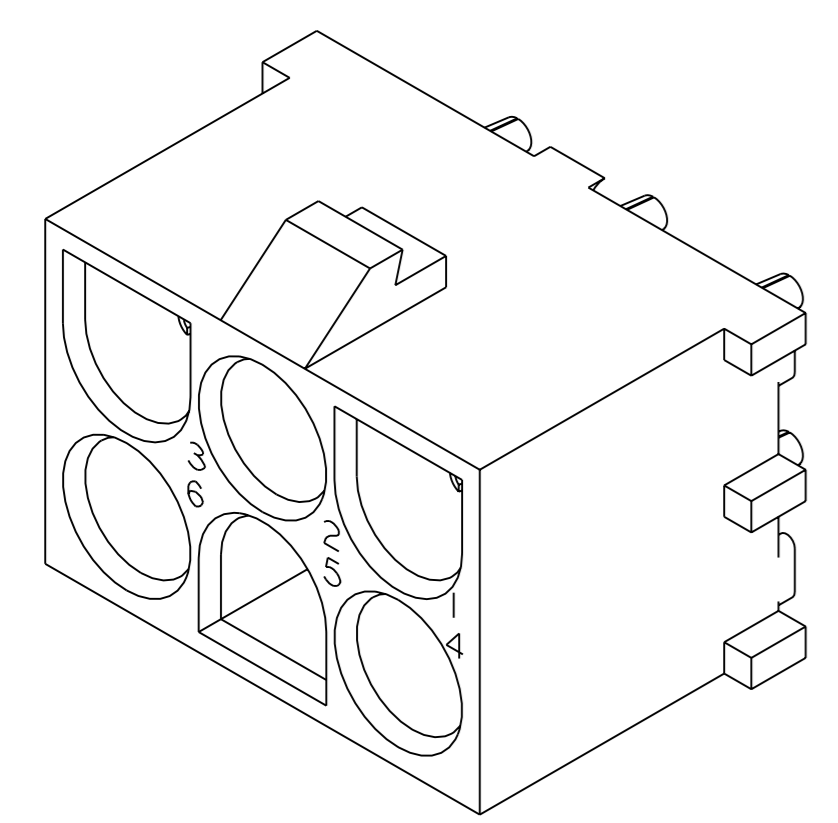
LOC		DIST		REVISIONS			
F	Y	REVISED PER	DESCRIPTION	DATE	DWN	APVD	
	Y	OG3B-1100-04		18JULY05	KW	SR	



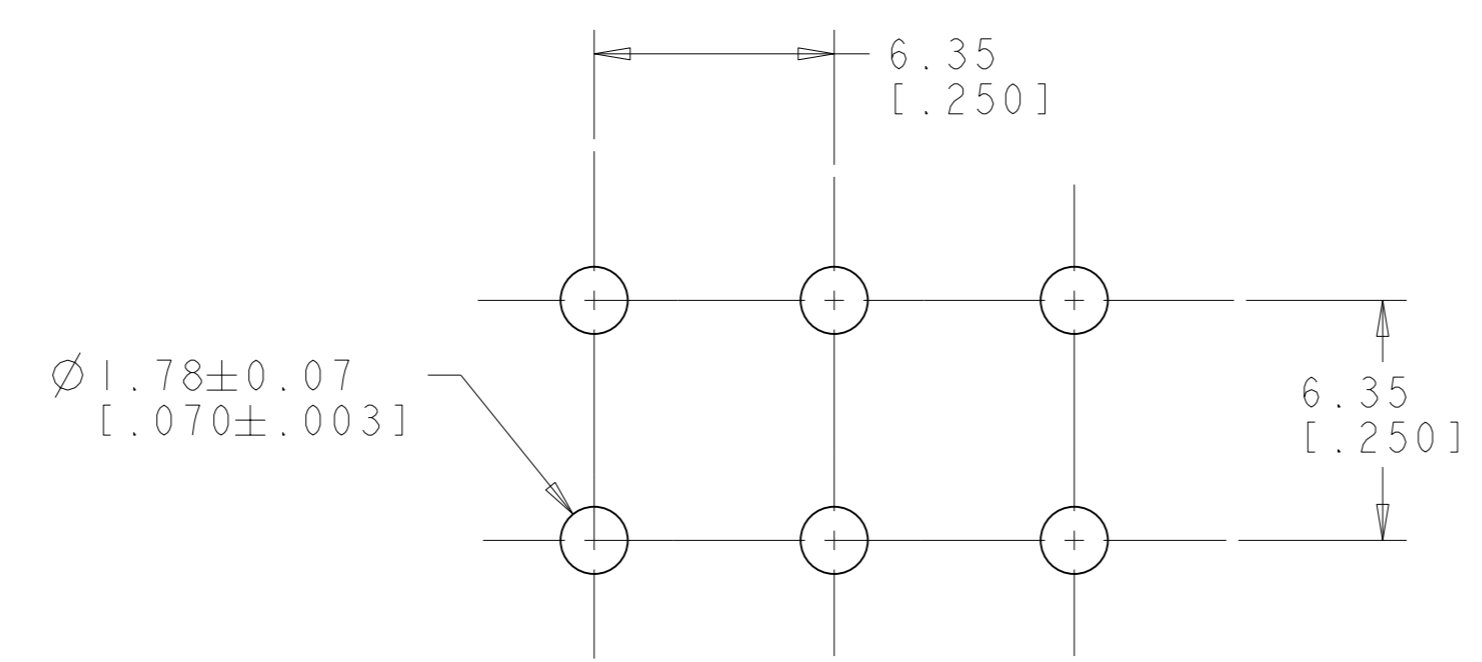
1. PARTS MATE WITH HOUSING 480704.
2. PARTS COMPLY TO AMP SOLDERABILITY SPECIFICATION 109-11-3.
3. CIRCUIT IDENTIFICATION CHARACTERS ARE ADJACENT TO THE INDICATED CAVITIES, BUT LOCATION AND ORIENTATION MAY DIFFER FROM PRINT.
4. CONTACT IS PLATED OVERALL WITH 0.00127 [.000050] NICKEL, THEN 0.00076 [.000030] GOLD OVER CONTACT LENGTH INDICATED AND TIN LEAD ON SOLDER TAIL END.
5. CONTACT IS PLATED OVERALL WITH 0.00127 [.000050] NICKEL, THEN 0.00076 [.000030] GOLD OVER CONTACT LENGTH INDICATED AND MATTE TIN ON SOLDER TAIL END.
6. DIMENSIONS IN BRACKETS ARE IN INCHES.



SECTION A-A
SCALE 10:1

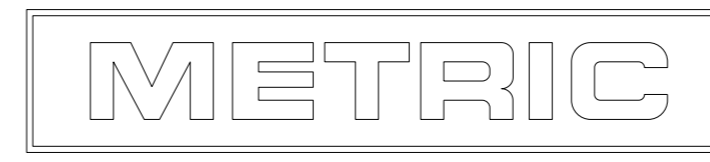


3 DIMENSIONAL MODEL
SCALE 4:1



RECOMMENDED MOUNTING HOLE PATTERN
FOR 1.57 [.062] THICK P.C. BOARD

PHOSPOR BRONZE, GOLD	NYLON, UL94V-2, NATURAL	350431-4
PHOSPOR BRONZE, GOLD	NYLON, UL94V-2, NATURAL	350431-2
PHOSPOR BRONZE, PRE-TIN	NYLON, UL94V-2, NATURAL	350431-1
PIN CONTACT MATERIAL AND FINISH	HOUSING MATERIAL AND COLOR	PART NUMBER



DIMENSIONS: mm [INCHES]		TOLERANCES UNLESS OTHERWISE SPECIFIED: 0 PLC ± 1 PLC ± 2 PLC ±0.13(.005) 3 PLC ± 4 PLC ± ANGLES 40° 30'		DWN K. WHITAKER 18JULY2005 CHK S. RIDGILL 18JULY2005 APVD S. RIDGILL 18JULY2005	Tyco Electronics Harrisburg, PA 17105-3608
MATERIAL SEE TABLE		FINISH SEE TABLE		NAME PIN HEADER ASSEMBLY, 6 CIRCUIT, UNIVERSAL MATE-N-LOK™	SIZE CAGE CODE DRAWING NO. RESTRICTED TO A 00779 ©=350431
CUSTOMER DRAWING		SCALE 5:1		SHEET 1 OF 1	REV Y